

Coupling device AGH150xx



Coupling device AGH150xx



Product description

The AGH150W or AGH150W-4 coupling device is designed to extend the nominal voltage range of the ISOMETER® iso685 series. The coupling device is connected to the system being monitored by two poles and connected to the terminal AK resp. L1/L2/L3 of the ISOMETER® by means of the terminal AKxxx.

Standards

The AGH150W(-4) complies with the requirements of

- DIN EN 45545-2.

Approvals



AGH150W-4

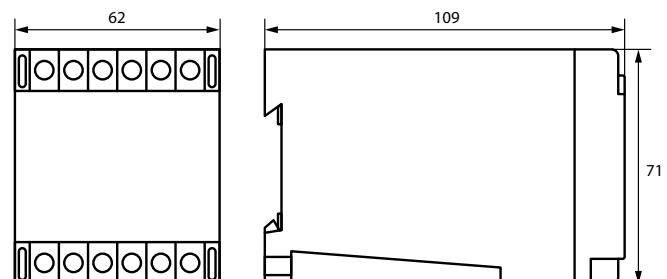


Ordering information

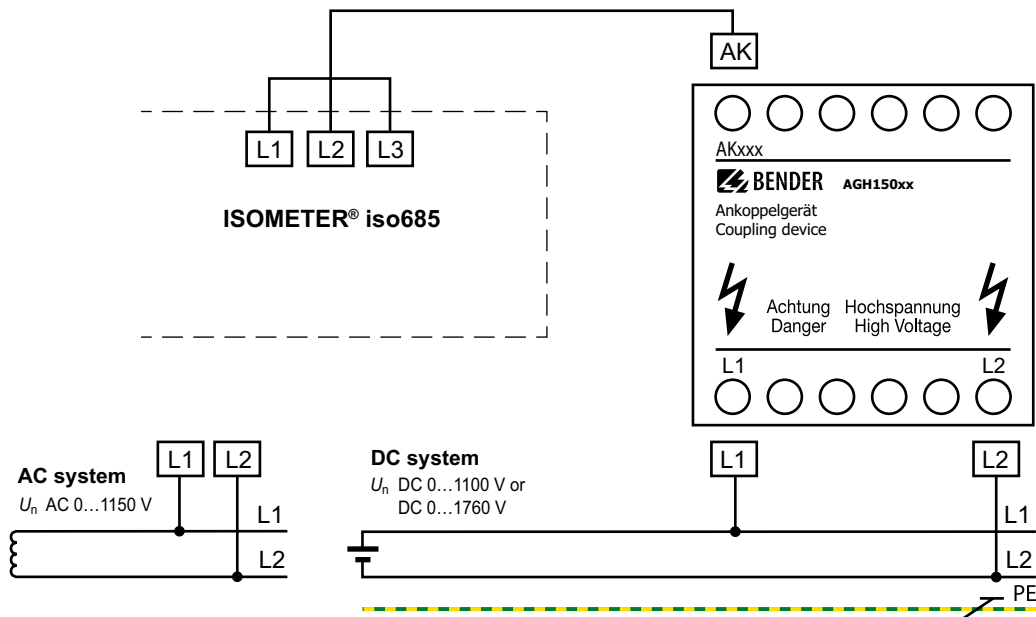
Nominal system voltage U_n		Type	Art. No.
AC	DC		
0...1150 V	0...1100 V	AGH150W	B915576
	0...1760 V	AGH150W-4	B98018006

Dimension diagram X150

Dimensions in mm



Wiring diagram



Technical data

Insulation coordination acc. to DIN EN 61800-5-1 (VDE 0160-105-1)

AGH150W	
Rated insulation voltage	AC 1000 V
Voltage test acc. to IEC 60255	12 kV
Pollution degree	3

AGH150W-4	
Rated insulation voltage	AC 1600 V
Voltage test acc. to IEC 60255	17 kV
Pollution degree	3

Voltage test acc. to DIN EN 61800-5-1 (VDE 0160-105-1)

AGH150W	
Voltage impulse test (basic insulation)	≥ AC 8 kV
AC voltage test (basic insulation)	≥ AC 4.3 kV

AGH150W-4	
Voltage impulse test (basic insulation)	≥ AC 11 kV
AC voltage test (basic insulation)	≥ AC 6.6 kV

Voltage ranges

AGH150W	
Nominal system voltage U_n	AC 0...1150 V, DC 0...1100 V
Frequency range of U_n (sinus)	DC 1...460 Hz
Overvoltage category	CAT III
Rated impulse voltage	≥ 8 kV
Internal DC resistance R_i	80 kΩ
Tolerance of internal DC resistance R_i	± 2 kΩ*

AGH150W-4	
Nominal system voltage U_n	AC 0...1150 V, DC 0...1760 V DC 0...1600 V (for UL applications)
Frequency range of U_n (sinus)	DC 1...460 Hz
Overvoltage category	CAT III
Rated impulse voltage	≥ 11 kV
Internal DC resistance R_i	≥ 160 kΩ
Tolerance of internal DC resistance R_i	± 4 kΩ*

Environment

Class of extended operating temperature at switch-on	Class ST1
Operating altitude	≤ 2000 m AMSL

Ambient temperatures

Operation	-10...+55 °C
Storage	-40...+70 °C

Classification of climatic conditions acc. to IEC 60721:

Stationary use (IEC 60721-3-3)	3K22 (max. 98 % humidity)
Transport (IEC 60721-3-2)	2K11
Long-term storage (IEC 60721-3-1)	1K22

Classification of mechanical conditions acc. to IEC 60721:

Stationary use (IEC 60721-3-3)	3M11
Transport (IEC 60721-3-2)	2M4
Long-term storage (IEC 60721-3-1)	1M12

Connection

Connection	flat terminals
Connection properties	
rigid/flexible	0.2...4/0.2...2.5 mm ²

Other

Operating mode	continuous operation
Mounting	any position
Nominal power consumption	≤ 10 W at DC 1760 V
Degree of protection, internal components (DIN EN 60529)	IP30
Degree of protection, terminals (DIN EN 60529)	IP20
DIN rail mounting acc. to	IEC 60715
Flammability class	UL94 V-0
Documentation number	D00093
Weight	≤ 900 g

* The tolerance range affects the measured value of the insulation monitoring device used and must be taken into account accordingly



Bender GmbH & Co. KG

Londorfer Straße 65 • 35305 Grünberg • Germany
Tel.: +49 6401 807-0 • info@bender.de • www.bender.de



BENDER Group